

STP301/301C turbomolecular pump

The Edwards STP301 and corrosion resistant STP301C turbomolecular pumps offer field proven reliability for use in the harshest of semiconductor applications.

Edwards rotor technology gives class-leading performance for maximum process flexibility. The pumps have been approved for use by major equipment manufacturers in the semiconductor and magnetic media industries.



Features and benefits

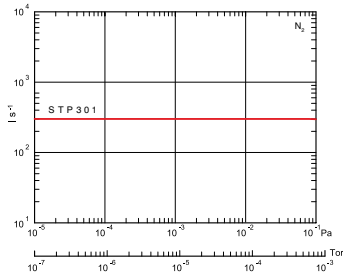
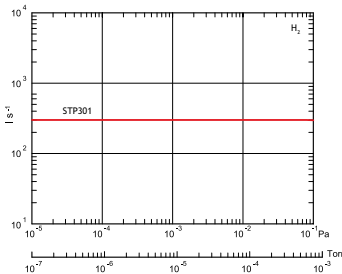
- Advanced rotor technology
 - Maximized process flexibility
 - Oil free
 - Low vibration
 - High reliability
 - Maintenance free
 - Harsh process compatible
 - Increased life
- Advanced controller design
 - Auto tuning
 - Self diagnostic functions
 - DC motor drive
 - Battery-free operation
- Compact design
 - Small footprint
 - Half rack controller

Technical data

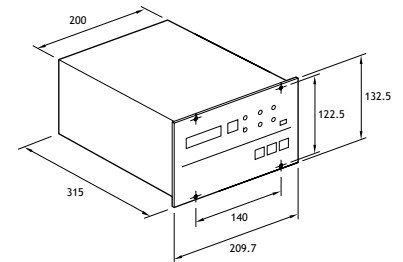
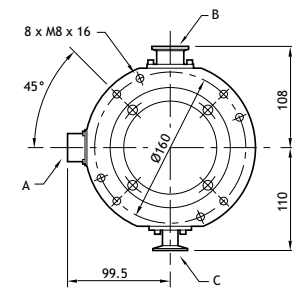
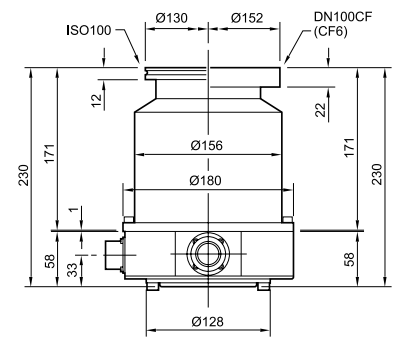
	STP301	STP301C	
Inlet flange size	VG100/ISO100/DN100CF		
Pumping speed N ₂ /H ₂	300 / 300		Litres/second
Compression ratio N ₂ /H ₂	>10 ⁸ /2 x 10 ⁴		
Ultimate pressure			
ISO inlet flange	6.5 x 10 ⁻⁶ (5 x 10 ⁻⁸)		Pa (Torr)
CF inlet flange	10 ⁻⁸ (10 ⁻¹⁰)	10 ⁻⁷ (10 ⁻⁹)	Pa (Torr)
Maximum allowable inlet pressure			
Ambient cooled/Water cooled	0.066 (5 x 10 ⁻⁴) / 2.5 (0.02)		Pa (Torr)
Rated speed	48000		rpm
Stop/start time	3/5		minutes
Maximum inlet flange temperature [‡]	120		°C
Power consumption			
Start up/Continuous	350/100		VA
Input voltage	100-240		V
Weight, pump/controller	11 / 8		kg

[‡] with cooling

Performance curves



Dimensions



A Electrical Connector
B Output Port
C Purge Port

Ordering information

Description	Order No.	Description	Order No.
STP301 ISO100K pump	B74830020	Connection cables 1.5 m	B70700020
STP301 DN100CF pump	B74831010	2 m	B70700030
STP301C ISO100K pump	B74871010	3 m	B70700010
STP301C DN100CF pump	B74881010	5 m	B70700000
Controller - 100 - 240 V	YT21Z0201	15 m	B70700070
Options		Power cables European plug	A50506010
Water cooling - Horizontal	B74801750	UK plug	A50505010
Vibration isolator - ISO100	B58046000	Ring terminal	A50508010
Vibration isolator - DN100CF	B74834010		

Custom configurations are available for specific OEM applications.
F type flange also available.

Global contacts

EUROPE

UK Crawley +44 1293 528844
UK (local rate) 08459 212223
Belgium Brussels +32 2 300 0730
France Paris +33 1 4121 1256
Germany Munich 0800 000 1456
Italy Milan +39 02 48 4471

USA

Niagara (toll free) +1 800 848 9800
BRAZIL
Sao Paulo +55 11 3952 5000
ISRAEL
Qiryat-Gat +972 8 681 0633

ASIA PACIFIC

China (toll free) +86 400 111 9618
India, Pune +91 20 4075 2222
Japan, Yachiyo +81 47 458 8831
Korea, Bundang +82 31 716 7070
Singapore +65 6546 8408
Taiwan R.O.C. Jhunan Town +886 3758 1000