

VS16K & IS16K VACUUM SWITCHES

edwardsvacuum.com

The VS16K is a general purpose vacuum switch with a user adjustable set point and a small switching differential. The switch point can easily be set using a screwdriver over the range 30 - 1000 mbar.

The IS16K vacuum interlock switch is designed to safeguard the operator by ensuring that electrical circuits in the vacuum chamber do not remain energised when the system is let up to atmosphere.

Typical applications include interlocking of the HT cleaning or processing circuits on thin film deposition and vacuum systems.



Applications

- Furnaces
- Laboratories
- Tank units
- Packaging
- General purpose pumping units

Features and benefits

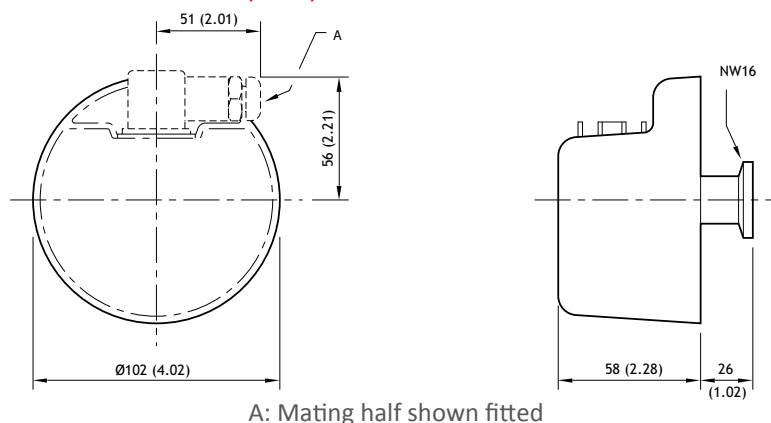
- | | |
|---|---|
| <ul style="list-style-type: none"> • VS16K <ul style="list-style-type: none"> – High vacuum compatible - only stainless steel parts exposed to vacuum – Set point independent of gas composition - ideal for backfilling applications – “Normally Open” and “Normally Closed” contacts | <ul style="list-style-type: none"> • IS16K <ul style="list-style-type: none"> – Single non-adjustable set point - cannot be tampered with – High vacuum compatible - only stainless steel parts exposed to vacuum |
|---|---|

Technical data

	VS16K	IS16K
Range of adjustment	30 to 1000 mbar *	-
Fixed set point	-	600 mbar *
Maximum switching differential	30 mbar	1000 mbar
Maximum working pressure	1 bar gauge (2 bar absolute)	1 bar gauge (2 bar absolute)
Electrical rating	10A resistive, 5A inductive at 250 V a.c.	10A resistive, 5A inductive at 250 V a.c.
Electrical connection plug	Type 283 mPm	Type 283 mPm
Internal volume	7 cm ³	7 cm ³
Materials in vacuum	Stainless steel	Stainless steel
Leak rate	<1 x 10 ⁻⁹ mbar ls ⁻¹	<1 x 10 ⁻⁹ mbar ls ⁻¹
Enclosure classification	IP52	IP52
Weight	0.7 kg	0.7 kg
Vacuum connection	NW16	NW16
Accessories supplied	Mating electrical socket Type 183 mPm	Mating electrical socket Type 183 mPm

* Set point varies with barometric pressure

Dimensions - mm (inch)



A: Mating half shown fitted

Ordering information

Product description	Order No.
VS16K adjustable vacuum switch	D05915000
IS16K vacuum interlock switch	D05914000

GLOBAL CONTACTS

Publication Number: 28 1591 1600
 © Edwards Limited 2016. All rights reserved Edwards and the Edwards logo are trademarks of Edwards Limited

Whilst we make every effort to ensure that we accurately describe our products and services, we give no guarantee as to the accuracy or completeness of any information provided in this datasheet.

Edwards Ltd, registered in England and Wales
 No. 6124750, registered office: Innovation Drive, Burgess Hill, West Sussex, RH15 9TW, UK.

EMEA		ASIA PACIFIC	
UK	+44 1293 528844 (local rate) 08459 212223	China	+86 400 111 9618
Belgium	+32 2 300 0730	India	+91 20 4075 2222
France	+33 1 4121 1256	Japan	+81 47 458 8836
Germany	0800 000 1456	Korea	+82 31 716 7070
Italy	+ 39 02 48 4471	Singapore	+65 6546 8408
Israel	+ 972 8 681 0633	Taiwan	+886 3758 1000
		AMERICAS	
		USA	+1 800 848 9800
		Brazil	+55 11 3952 5000

