

# CG16K CAPSULE DIAL GAUGES

edwardsvacuum.com

Barometrically compensated dial gauges with NW flange fittings. Edwards CG 16K capsule dial gauges cover the range from atmosphere of 0 to 1040 mbar.

These robust gauges provide accurate, repeatable performance even at low pressures making them equally suited for non-corrosive process plant or for laboratory applications.

Fitting is simple: the gauges can be mounted direct or panel mounted using the kit supplied.



## Features and benefits

- Accurate to  $\pm 2\%$  F.S.D.
- Barometrically compensated unaffected by changes in atmospheric pressure
- Reading independent of gas type
- Rugged aluminium casing with removeable bezel for cleaning

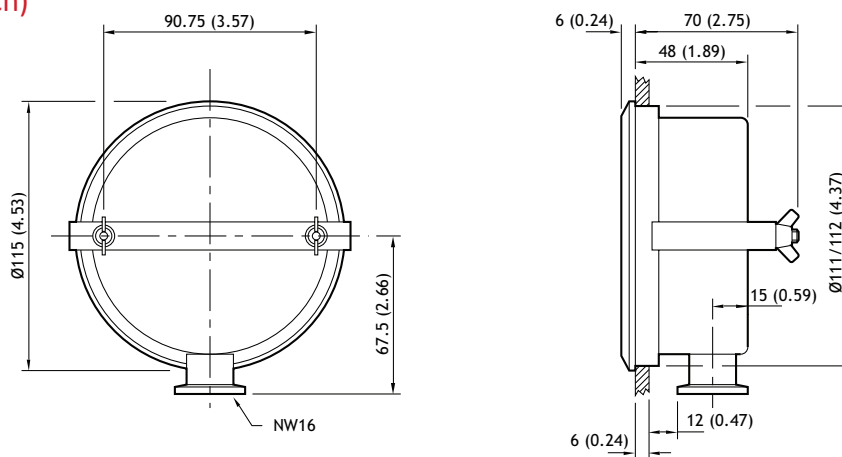
## Applications

- Backfilling
- Portable equipment
- Degassing
- Refrigeration
- Flammable vapours
- Upgrade from Bourdons
- Packaging

Technical data

Accuracy	± 2% of F.S.D.
Materials in vacuum	Inconel, aluminium, nickel, glass, nitrile, copper, alloy
Internal volume	160 cm <sup>3</sup>
Maximum applied pressure	2 bar absolute (1 bar gauge)
Weight	0.8 kg
Vacuum connection	NW16
Accessories supplied	Clamp and studs for panel mounting

Dimensions - mm (inch)



Ordering information

Product description	Ordering information
CG16K capsule dial gauge 0 to 1040 mbar	D35610000
CG16K capsule dial gauge 0 to 125 mbar	D35611000
CG16K capsule dial gauge 0 to 50 mbar	D35612000
CG16K capsule dial gauge 0 to 25 mbar	D35613000
CG16K capsule dial gauge 0 to 760 Torr	D35630000
CG16K capsule dial gauge 0 to 100 Torr	D35631000
CG16K capsule dial gauge 0 to 40 Torr	D35632000
CG16K capsule dial gauge 0 to 20 Torr	D35633000

Edwards offers a calibration service traceable to national standards for new or returned gauges and controllers. Please contact Edwards for details.

GLOBAL CONTACTS

Publication Number: 28 0590 1600  
 © Edwards Limited 2016. All rights reserved Edwards and the Edwards logo are trademarks of Edwards Limited

Whilst we make every effort to ensure that we accurately describe our products and services, we give no guarantee as to the accuracy or completeness of any information provided in this datasheet.

Edwards Ltd, registered in England and Wales  
 No. 6124750, registered office: Innovation Drive, Burgess Hill, West Sussex, RH15 9TW, UK.

EMEA

- UK** +44 1293 528844 (local rate) 08459 212223
- Belgium** +32 2 300 0730
- France** +33 1 4121 1256
- Germany** 0800 000 1456
- Italy** + 39 02 48 4471
- Israel** + 972 8 681 0633

ASIA PACIFIC

- China** +86 400 111 9618
- India** +91 20 4075 2222
- Japan** +81 47 458 8836
- Korea** +82 31 716 7070
- Singapore** +65 6546 8408
- Taiwan** +886 3758 1000

AMERICAS

- USA** +1 800 848 9800
- Brazil** +55 11 3952 5000

