

Instructions

Vapour Pump Spares Kits

Description	Item Number
Spares Kit for 30B5 Pumps	B064-04-800
Spares Kit for 18B4B (EHVI) and 18B4A Pumps	B065-10-800
Spares Kit for 18B4B (ANSI) Pumps	B065-20-800
Spares Kit for 18B4B (ISO) Pumps	B065-30-800
Spares Kit for 9B3K and 9B4K Pumps	B066-00-800



Important safety Information

- Vacuum pumps are potentially dangerous if incorrectly used, repaired or maintained, so please approach the repair or maintenance with caution.
- Any incorrectly fitted spare parts could damage your pump and could be potentially dangerous.
- Never allow unqualified personnel to attempt to remove or replace any part of the pump.
- If you have any doubts about the servicing procedures or the products capabilities please contact Edwards.
- Before returning any equipment to Edwards for repair please follow the Edwards HS1 procedure and complete an HS2 declaration form to warn of any substances used or produced in the equipment that can be dangerous. The procedure and forms are included with the pump instruction manuals and can be downloaded together with Edwards local contact details from www.edwardsvacuum.com
- Always conform to service schedules unless adverse conditions necessitate more frequent servicing.
- Report any defect before an accident or consequential damage can occur.
- Observe local and country specific regulations, norms and guidelines.
- Never allow anyone to remove large or heavy components without adequate lifting equipment.
- Before maintenance work is begun, ensure the pump is switched off and isolated from the mains.
- The pump may have been exposed to processes which use hazardous substances or produces by-products which are dangerous to human health and safety, for example, chemically active, biologically active or radioactive substances.
- Before working on a pump, ensure that the correct personal protective equipment is available and being used. Always wear safety goggles. Wear a breather mask with positive air pressure and take other precautions if you believe the pump may be contaminated with hazardous substances and dusts.
- When applying sealants and lubricants, prevent contact with the skin by wearing suitable gloves.
- Seals may contain fluoroelastomer, which when properly handled is not dangerous but which may produce a toxic and corrosive residue (hydrogen fluoride or hydrofluoric acid) in the event of excessive heat or fire depending on the circumstances of degradation and other materials involved.
- On completion of maintenance, check the pump functions correctly and that all guards and protection devices are fitted and working correctly and that the pump is electrically safe.
- If the pump is used for handling hazardous substances check the pump for leak-tightness before use.
- Dispose of waste oil and any process by-products in accordance with local and national safety and environmental requirements. It is usually illegal to dispose of waste oil into drains or water courses, or to bury it.

Contents

Section	Page
1 Introduction	1
2 Spares kit for 30B5 pumps	3
3 Spares kit for 18B4B (EHVI) and 18B4A pumps	5
4 Spares kit for 18B4B (ANSI) pumps	7
5 Spares kit for 18B4B (ISO) pumps	9
6 Spares kit for 9B3K and 9B4K pumps	11
7 Storage and disposal	13
7.1 Storage	13
7.2 Disposal	13

For return of equipment, complete the HS Forms at the end of this manual.

Illustrations

Figure	Page
1 30B5 pump spares	3
2 18B4B (EHVI) and 18B4A pump spares	5
3 18B4B (ANSI) pump spares	7
4 18B4B (ISO) pump spares	9
5 9B3K and 9B4K pump spares	11

Tables

Table	Page
1 Contents of the spares kit for 30B5 pumps	3
2 Contents of the spares kit for 18B4B (EHVI) and 18B4A pumps	5
3 Contents of the spares kit for 18B4B (ANSI) pumps	7
4 Contents of the spares kit for 18B4B (ISO) pumps	9
5 Contents of the spares kit for 9B3K and 9B4K pumps	11

This page has been intentionally left blank.

1 Introduction

This manual provides details of the following Spares Kits:

Kit	Refer to
Spares Kit for 30B5 Pumps	Section 2
Spares Kit for 18B4B (EHVI) and 18B4A Pumps	Section 3
Spares Kit for 18B4B (ANSI) Pumps	Section 4
Spares Kit for 18B4B (ISO) Pumps	Section 5
Spares Kit for 9B3K and 9B4K Pumps	Section 6

Refer to the front cover for the Item Numbers of the Spares Kits, and refer to the corresponding Sections shown above for the contents of the Spares Kits, and for the locations of the spare items supplied in the Kits on the corresponding pump(s).

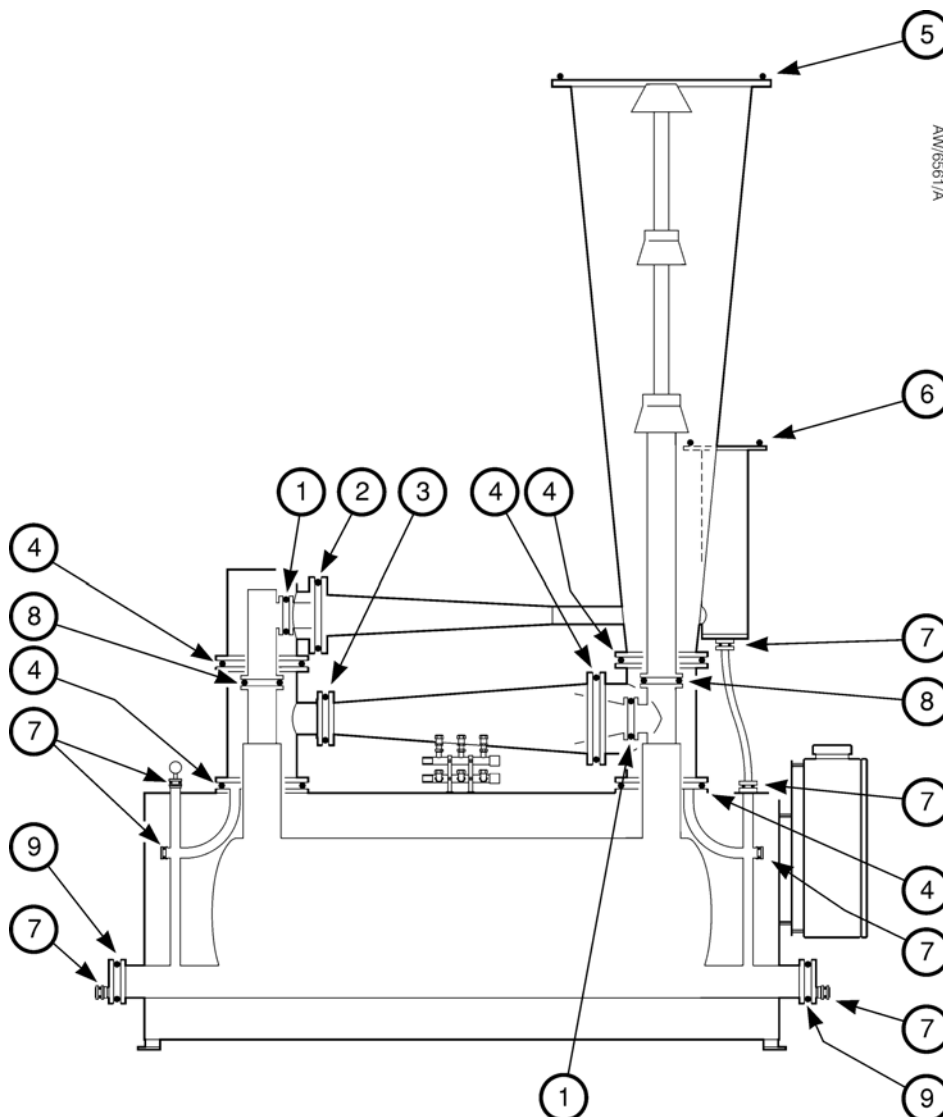
This page has been intentionally left blank.

2 Spares kit for 30B5 pumps

Table 1 - Contents of the spares kit for 30B5 pumps

Figure 1 key	Description	Item Number	Quantity
1	Ejector gasket	B064-06-056	2
2	Baffle cone O-ring	H021-26-231	1
3	Secondary cone O-ring	H021-22-135	1
4	'T' piece O-ring	H021-26-091	5
5	Top flange O-ring	H021-26-259	1
6	Baffle flange O-ring	H021-26-083	1
7	1-inch union O-ring	H021-26-026	7
8	Jet stack gasket	B064-06-146	2
9	Drain flange O-ring	H021-26-062	2

Figure 1 - 30B5 pump spares



This page has been intentionally left blank.

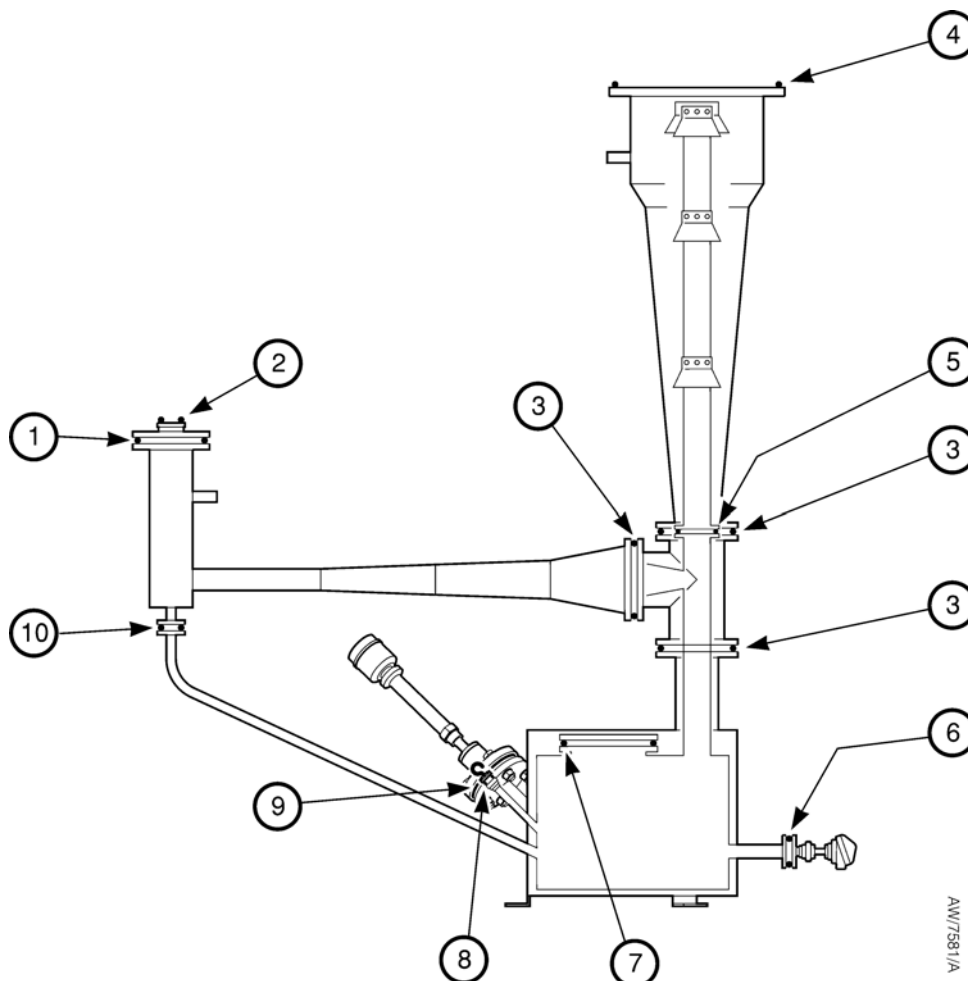
3 Spares kit for 18B4B (EHVI) and 18B4A pumps

Table 2 - Contents of the spares kit for 18B4B (EHVI) and 18B4A pumps

Figure 2 key	Description	Item Number	Quantity
1	Backing flange O-ring	H021-26-208	1
2	2-inch union O-ring	H021-26-159	1
3	'T' piece O-ring	H021-26-213	3
4	Top flange O-ring	H021-26-099	1
5	Vapour tube gasket	B065-00-075	1
6	Drain/PT100 port O-ring	H021-26-026	1
7	Cleaning port gasket*	B065-00-027	1
8	Dipstick O-ring	H021-26-121	1
9	Level switch seal*	A271-59-648	1
10	Baffle drain O-ring	H021-26-130	1

* Not applicable to 18B4A pumps.

Figure 2 - 18B4B (EHVI) and 18B4A pump spares



AM/7581/A

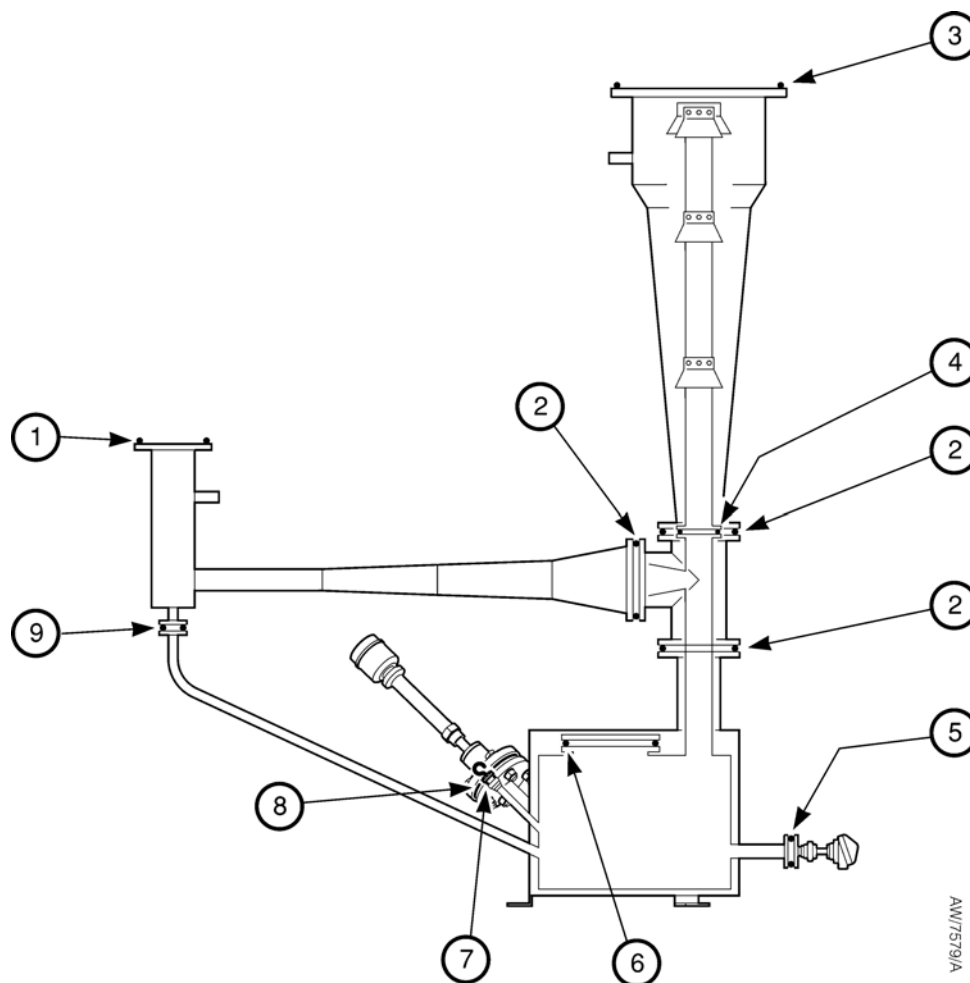
This page has been intentionally left blank.

4 Spares kit for 18B4B (ANSI) pumps

Table 3 - Contents of the spares kit for 18B4B (ANSI) pumps

Figure 3 key	Description	Item Number	Quantity
1	Backing flange O-ring	H021-26-208	1
2	'T' piece O-ring	H021-26-213	3
3	Top flange O-ring	H021-26-099	1
4	Vapour tube gasket	B065-00-075	1
5	Drain/PT100 port O-ring	H021-26-026	1
6	Cleaning port gasket	B065-00-027	1
7	Dipstick O-ring	H021-26-121	1
8	Level switch seal	A271-59-648	1
9	Baffle drain O-ring	H021-26-130	1

Figure 3 - 18B4B (ANSI) pump spares



AM/7579/A

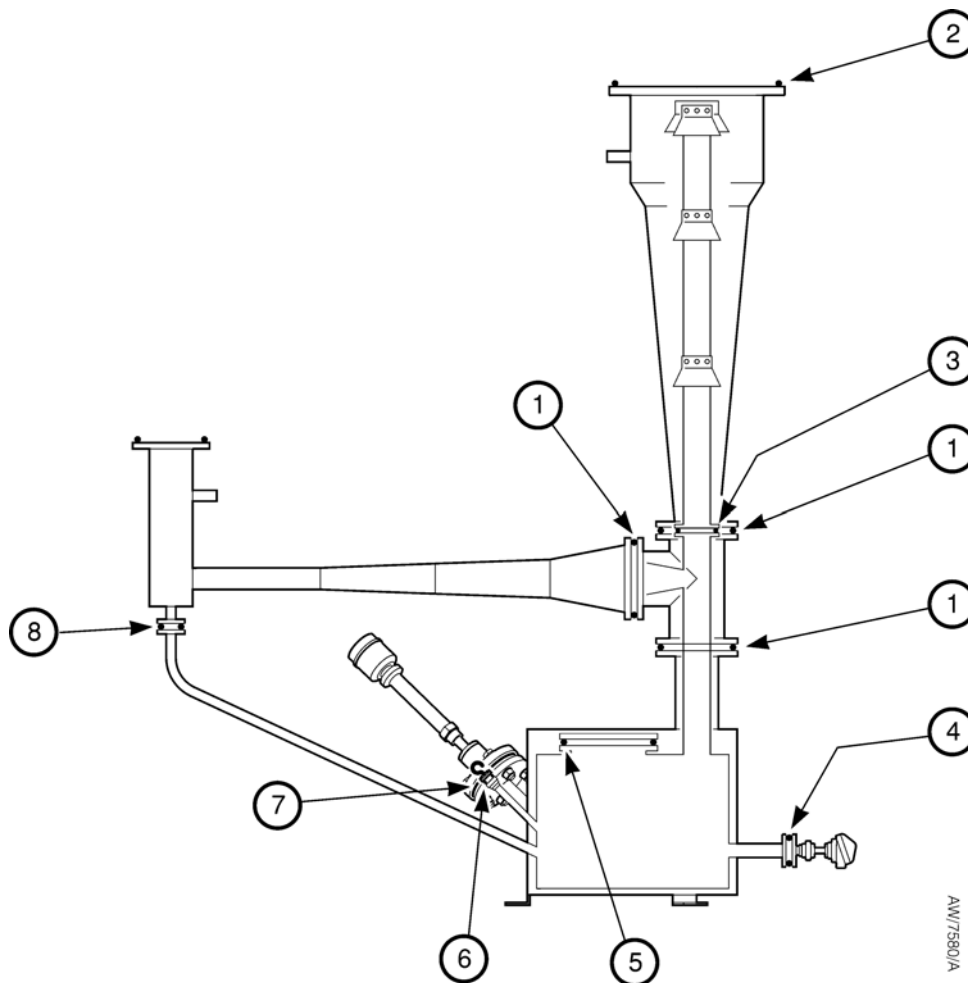
This page has been intentionally left blank.

5 Spares kit for 18B4B (ISO) pumps

Table 4 - Contents of the spares kit for 18B4B (ISO) pumps

Figure 4 key	Description	Item Number	Quantity
1	'T' piece O-ring	H021-26-213	3
2	Top flange O-ring	H021-26-100	1
3	Vapour tube gasket	B065-00-075	1
4	Drain/PT100 port O-ring	H021-26-026	1
5	Cleaning port gasket	B065-00-027	1
6	Dipstick O-ring	H021-26-121	1
7	Level switch seal	A271-59-648	1
8	Baffle drain O-ring	H021-26-130	1

Figure 4 - 18B4B (ISO) pump spares



ANI/7580/A

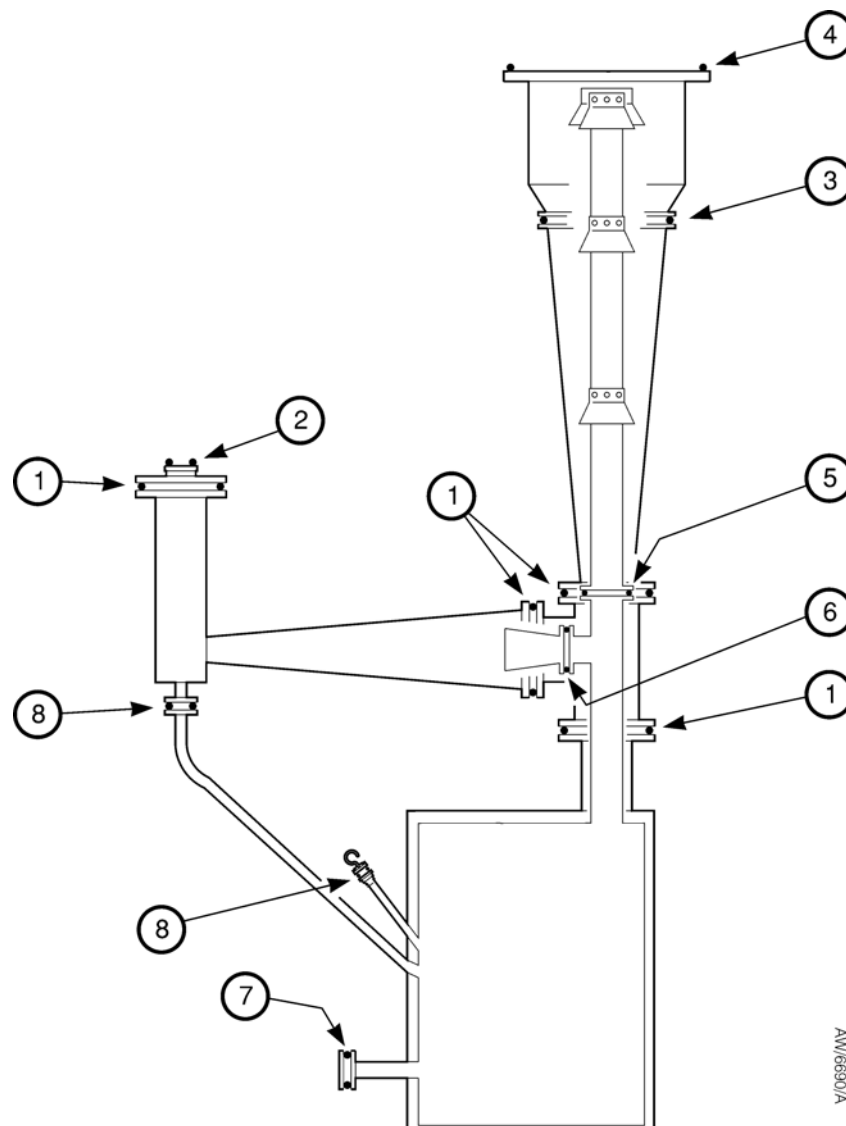
This page has been intentionally left blank.

6 Spares kit for 9B3K and 9B4K pumps

Table 5 - Contents of the spares kit for 9B3K and 9B4K pumps

Figure 5 key	Description	Item Number	Quantity
1	Backing and 'T' piece O-ring	H021-26-056	3
2	1 1/2 inch union O-ring	H021-25-146	1
3	9B3K top flange O-ring	H021-26-091	1
4	9B4K top flange O-ring	H021-26-253	1
5	Jet stack filamic washer	M011-00-030	1
6	Ejector filamic washer	M011-00-031	1
7	Drain port O-ring	H021-26-026	1
8	Dipstick and baffle drain O-ring	H021-26-121	2

Figure 5 - 9B3K and 9B4K pump spares



AW/6590/A

This page has been intentionally left blank.

7 Storage and disposal

7.1 Storage

If a Spares Kit is not to be used immediately, return the Kit to its protective packaging and store the Kit in clean, dry conditions until required for use. Do not expose the Kit to excessive heat or cold.

7.2 Disposal

Dispose of the Kits and any components safely in accordance with all local and national safety and environmental requirements.

This page has been intentionally left blank.