

Amendment

EM Rotary Vacuum Pumps for Thermo Electron Corporation (Amendment to A373-10-880)

Description	Item Number
Thermo E2M30 Rotary Vane Pump, 220-240 V, 50/60 Hz	A374-35-903
E2M28 Thermo, 220/240 V, 50/60 Hz, 1ph	A373-19-903



This page has been intentionally left blank.

1 INTRODUCTION

1.1 Scope of this amendment

This amendment describes the installation, operation and maintenance for the EM rotary vacuum pumps for Thermo Electron Corporation (referred to as Thermo EM pumps in the rest of this amendment). Unless specified in this amendment, all information in the corresponding pump instruction manual also applies to the Thermo EM pumps. Read this amendment before you use the pump.

The Item Numbers of the Thermo EM pumps are given on the front cover of this amendment.

Note that the Declaration of Conformity for the Thermo EM rotary vacuum pumps are shown at the end of this amendment.

1.2 Description

The Thermo EM pumps differ from the standard pumps as follows:

- The Thermo EM pumps have an electrical supply cable connected to the pump-motor.
- The Thermo EM pumps are supplied with a gas ballast oil return adaptor fitted. The adaptor is part of a gas ballast oil return kit; the other parts of the kit are supplied packed with the pump.

2 INSTALLATION

2.1 Introduction

Unless otherwise specified in the following sections of this amendment, you must use the procedures in Section 3 of the corresponding pump instruction manual to install the Thermo EM pump.

2.2 Unpack and inspect

When you unpack and inspect the Thermo EM pump, take note of the following:

- There is a protective cover on the outlet-port.
- For all Thermo EM pumps with the exception of the gas ballast adaptor (which is supplied fitted to the pump), the gas ballast oil return kit is supplied packed with the pump. Unpack the kit and check that you have received all of the parts necessary to complete the installation (see Table 1).

Table 1 - Unpacking checklist

Quantity	Description	Check
1	Drain adaptor	<input type="checkbox"/>
1	Flexible oil-return tube with restrictor fitted	<input type="checkbox"/>
2	Hose clips	<input type="checkbox"/>

2.3 Locate the pump

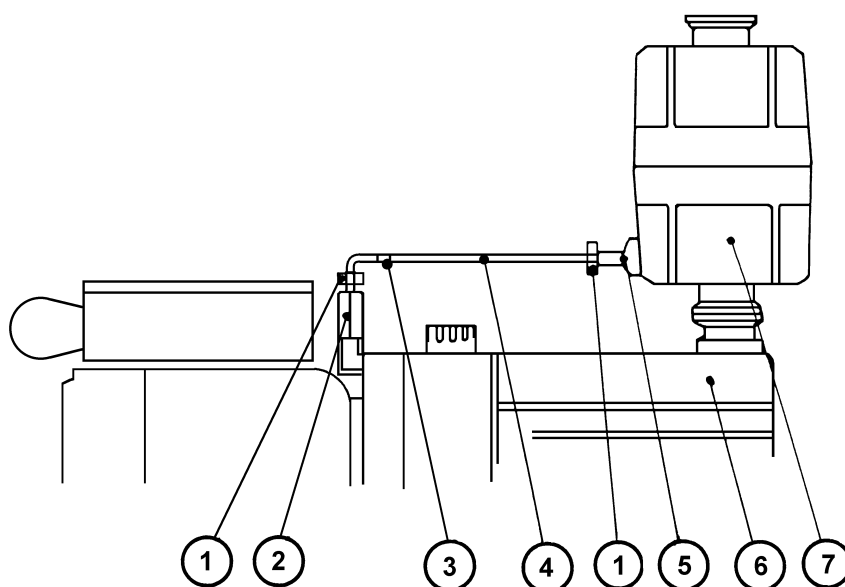
Locate the pump as described in the 'Locate the pump' section of the corresponding pump instruction manual.

2.4 Fit the gas ballast oil return kit

Refer to [Figure 1](#) in the following procedure. Where necessary, refer to the instruction manuals supplied with your pump and oil mist filter when you fit the oil return kit.

- Remove the drain-plug from the oil mist filter (7). Remove the bonded seal and retain the drain-plug for future use.
- Use the bonded seal removed in Step 1 to fit the drain adaptor (5) to the oil mist filter (7).
- Ensure that the restrictor (3) is fitted in the end of the tube as shown in [Figure 1](#).
- Cut a [Figure 1](#) length from the flexible oil-return tube. The routing of the tube (4) must be approximately as shown in [Figure 1](#). When fitted, the tube must not be taut and there must be no tight bends in the tube. Ensure that the ends of the oil-return tube are free of burrs and that they are squarely cut (that is, the cut faces are at a right-angle to the length of the tube).
- Fit the tube (4) to the drain adaptor (5) on the oil mist filter and to the gas ballast oil return adaptor (2) fitted to the pump.
- Use the hose clips (1) to secure the ends of the flexible oil return tube (4).
- Open the gas ballast control at least two turns.

Figure 1 - Fit the oil return kit



AG/4392/A

1. Hose clips
2. Gas ballast oil return adaptor
3. Restrictor
4. Flexible oil return tube
5. Drain adaptor
6. Pump
7. Oil mist filter

3 OPERATION

Operate the pump as described in Section 4 of the corresponding pump instruction manual.

4 MAINTENANCE

Maintain the Thermo EM pump as described in Section 5 of the corresponding pump instruction manual.

This page has been intentionally left blank.